

Paper Piece Pincushion #05

Cutting the foam board

Lay one of the squares onto some foam board. Trace on the foam board around the square as shown in Figure 1. Cut out the square in the foam board.

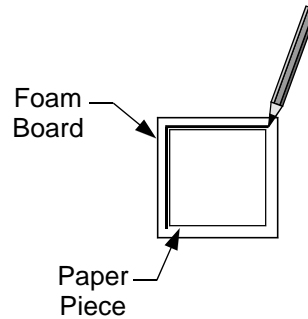


Figure 1

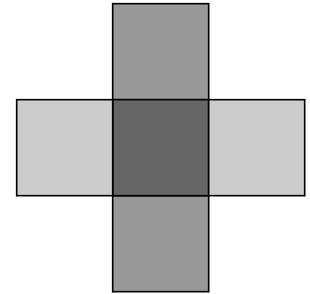


Figure 2

Basting the Shapes

Chose three contrasting colors #1, #2 and #3 and baste the shapes in the colors shown:

Shape	Size	Qty	Color
Square	2"	2	#1
Square	2"	2	#2
Square	2"	2	#3

To make your pincushion larger, use the 3" size paper pieces.

Making the pincushion

Whip stitch four basted squares around a basted square as shown in Figure 2. Remove the center square paper piece. Always save your paper pieces to be reused.

Fold up the outer squares to make a cube with all the paper pieces facing in. Whip stitch along all four of the side edges. Place the foam board square inside on the bottom. See Figure 3. Whip stitch top basted square along three sides as show in Figure 4. Remove the rest of the paper pieces thru the opening.

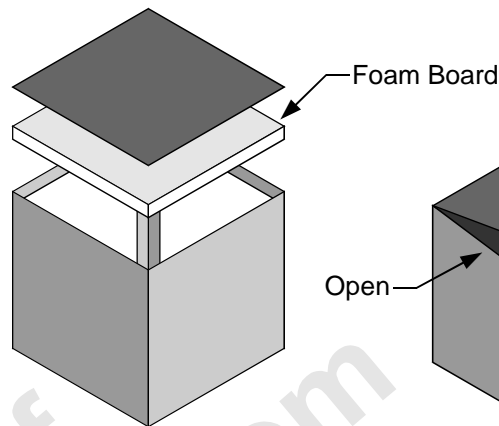


Figure 3

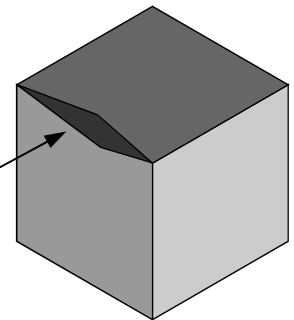


Figure 4

Stuffing the pincushion

Us a funnel and put in about 1/8 cup of plastic pellets. Finish stuffing the pincushion with fiber stuffing. Stuff it pretty full. Whip stitch close the top opening.

Adding the buttons

Sew one button to each of the five top squares. Run your thread thru the center of the pincushion so you can pull the buttons snug as show in Figure 5.

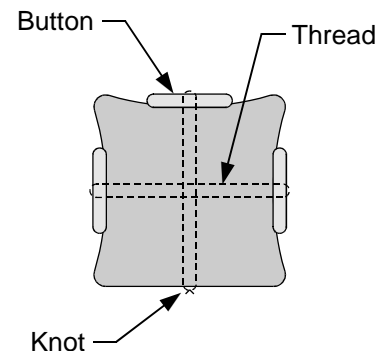


Figure 5

Your Pincushion is ready to be enjoyed!

Electronic Patterns by www.cddesigns.com

Copyright © 2003 CD Designs. All rights reserved.

This pattern is the property of CD Designs and is protected by copyright.

Any reproduction, except for personal use, in whole or in part is strictly prohibited.

P007-5.cdr